

M.H. Southern & Co. Ltd.

MHS

Acoustic Panels

Fitting Instructions



DESIGNED BY

**EASY
INSTALLATION**

FITTERS FOR

Important Information

The following instructions are for installing the **Acoustic Panels**

These panels are suitable for internal use only. Also suitable for kitchens & bathrooms as long as they do not come into direct contact with water. We recommend the use of an interior wood varnish on the slats and slat ends to seal them, which will protect against air moisture. Do not apply to felt backing.

Product dimensions - 2400mm x 600mm x 21mm

Panel has a coverage of approx. 1.44m²

If you have any queries please contact our technical helpline on **0191 489 8231**

Please note

All components should be inspected BEFORE installation commences for any damage, as M.H. Southern & Co. cannot be held responsible for any damage caused during installation,

We do not recommend the use of a sharp blade to open the packaging as this may damage the product.

Tools required

Tape measure, pencil, adhesive, screwdriver, fine tooth handsaw and/or circular power saw, straight edge/spirit level, screws & wall plugs.

Preparation

Before you install, ensure that the wall is clean and smooth and remove any nails or screws etc.

If you are drilling and inserting screws into the wall, we recommend that you use a pipe & cable detector first to identify and mark these locations onto the wall so you can fix around them.

Masking tape should be applied to all cut locations prior to cutting. Always use sharp, good quality blades when cutting.

Installation Methods

Using Adhesive

(Please note - if using this method, some damage to wall and panel may incur if you wish to remove at a later date)

Measure vertical distance of wall (**Fig 1**).

Measure and mark location of cut on the panel. Apply a strip of masking tape along area to be cut. Strike a line across using a pencil and straight edge (**Fig 2**).

Cut panel to correct height using either a fine tooth handsaw or circular power saw (**Fig 3**). For best results, use a good quality sharp blade. Remove masking tape after cutting.

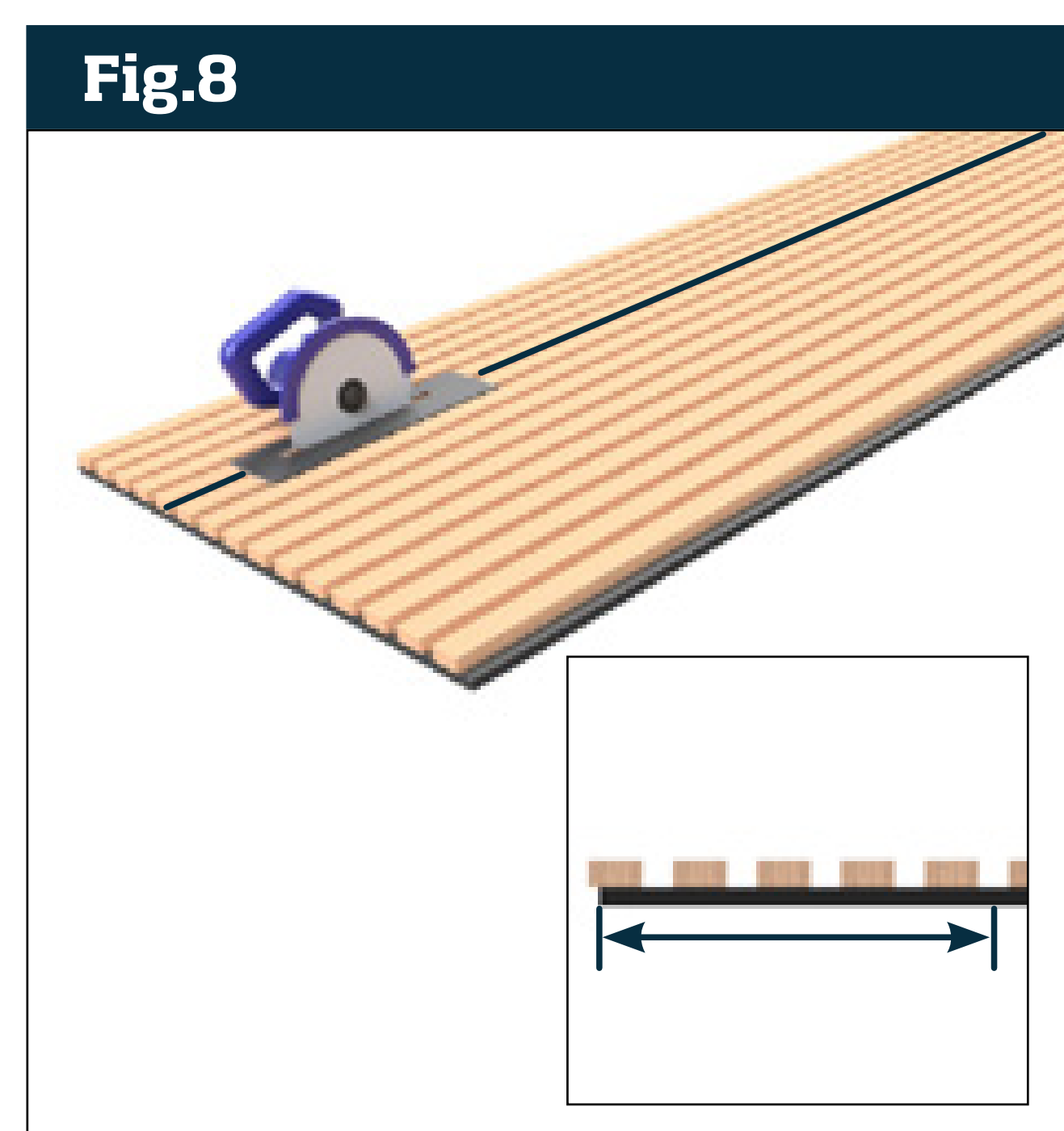
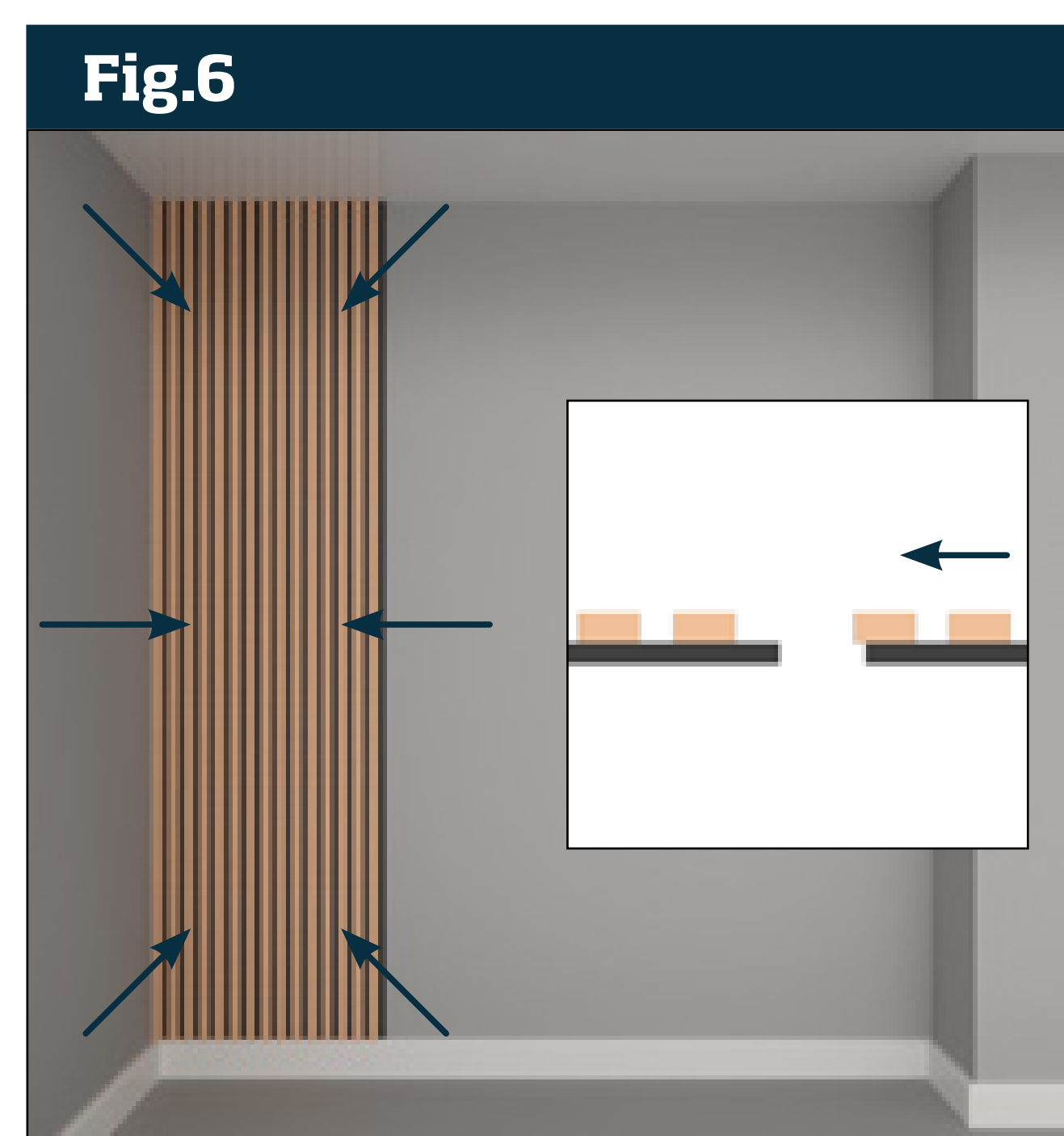
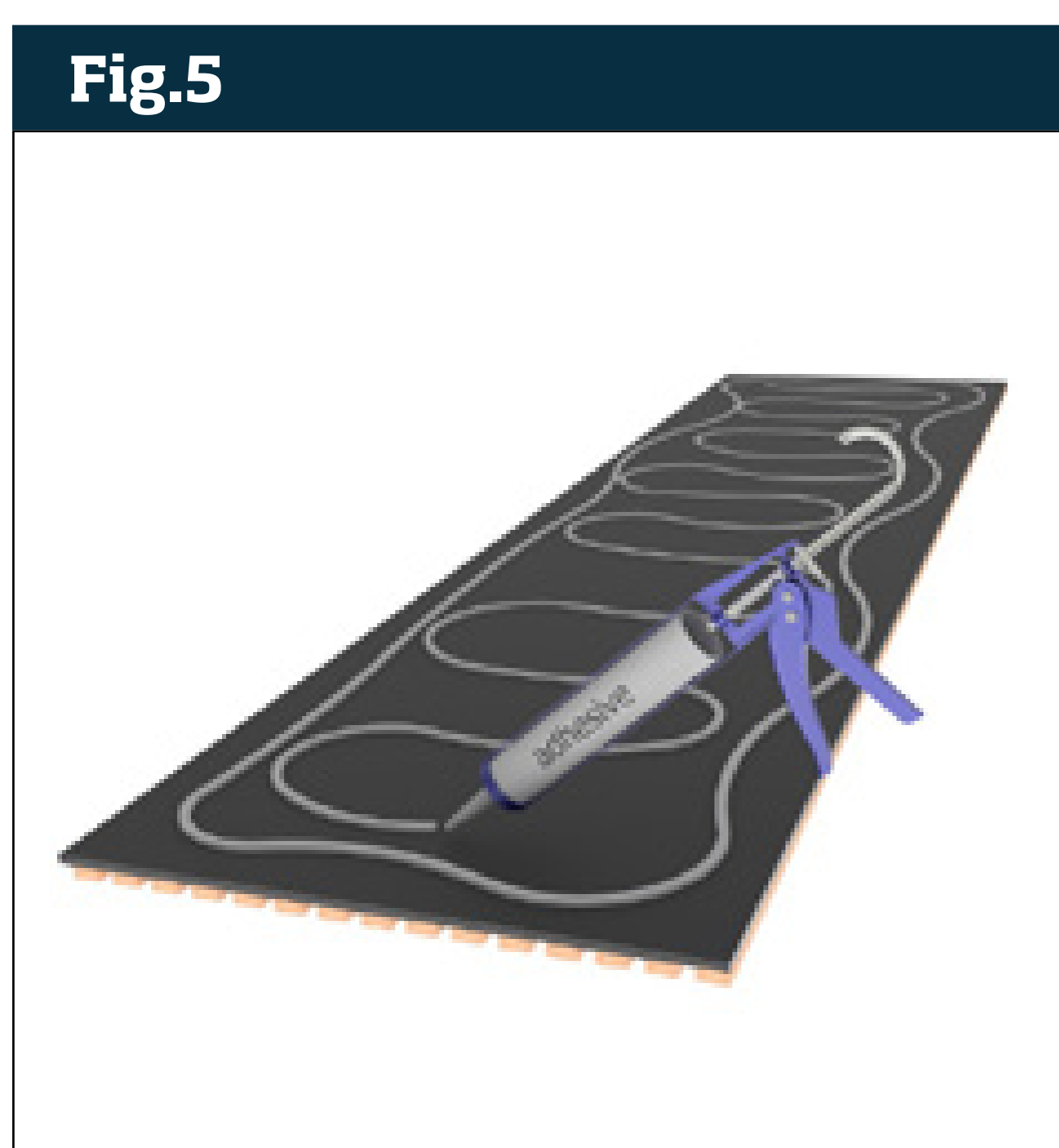
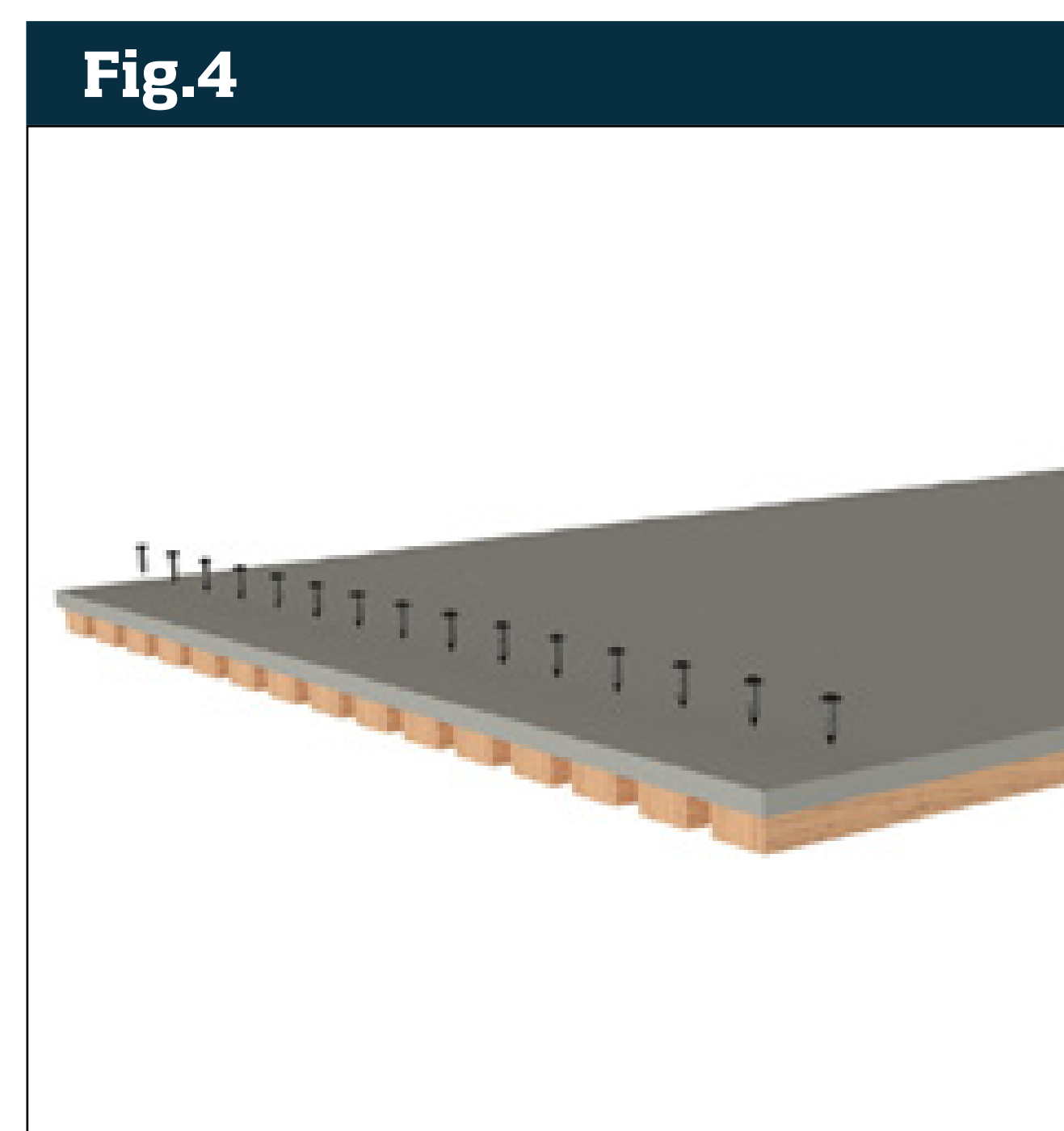
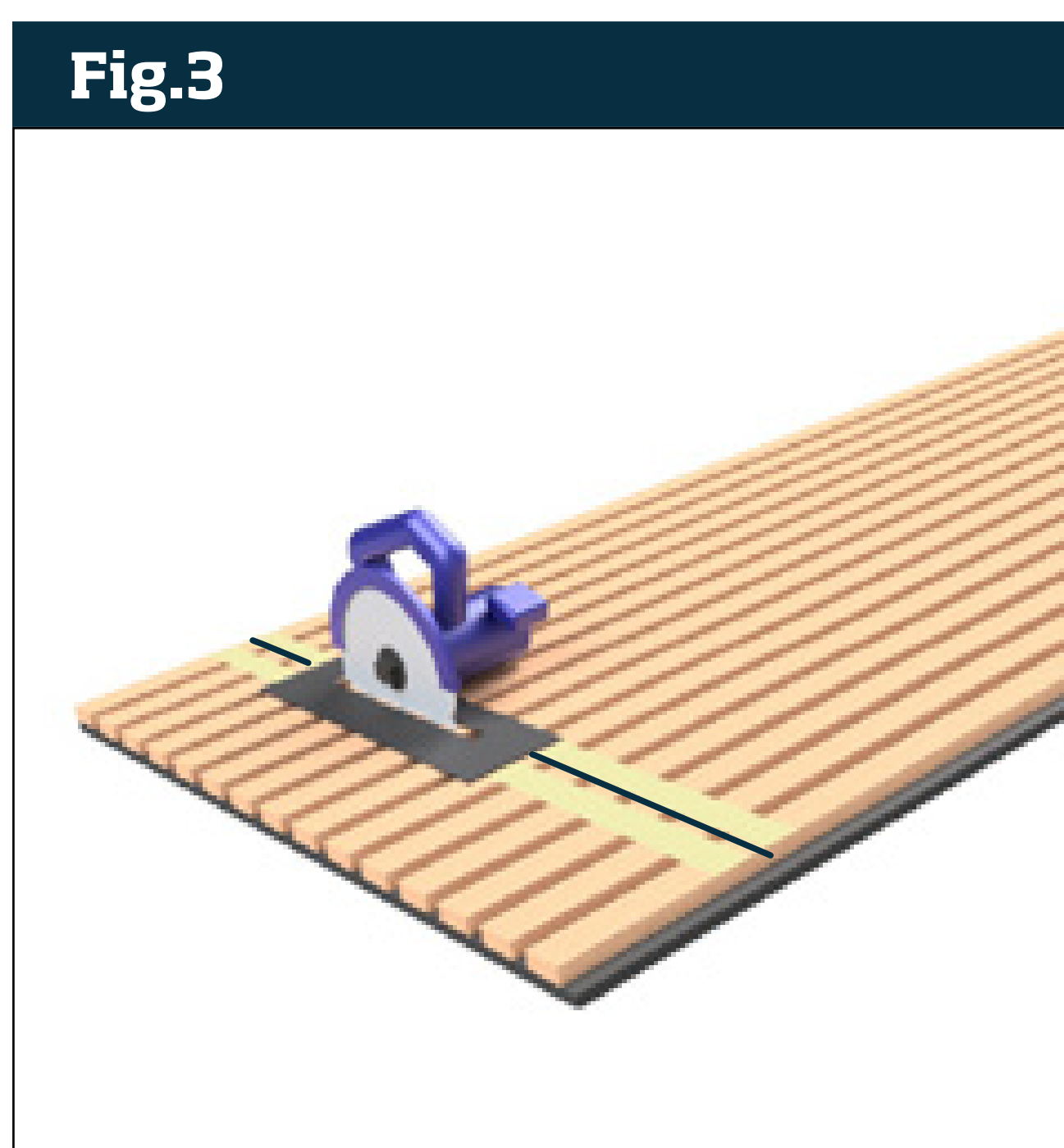
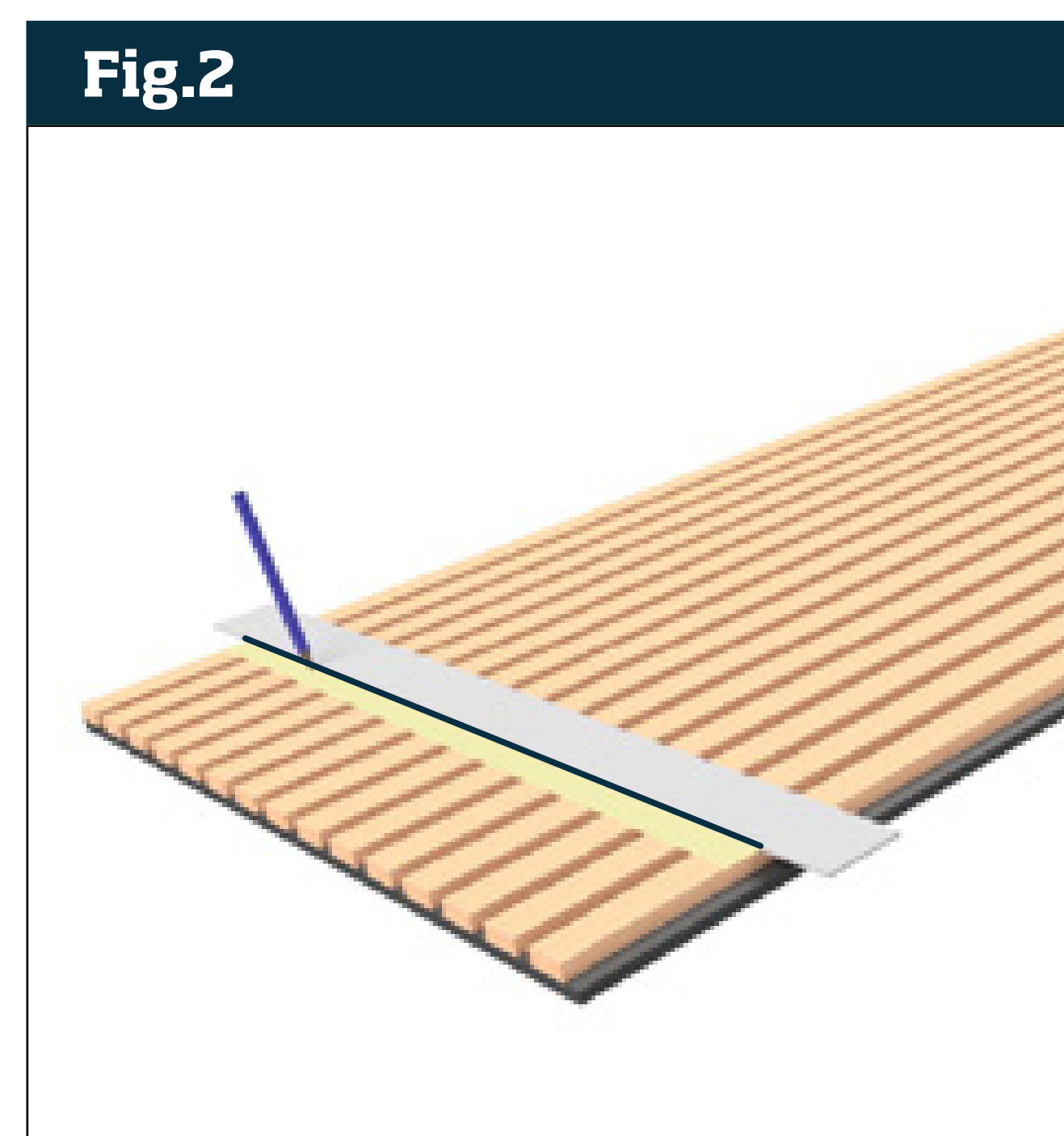
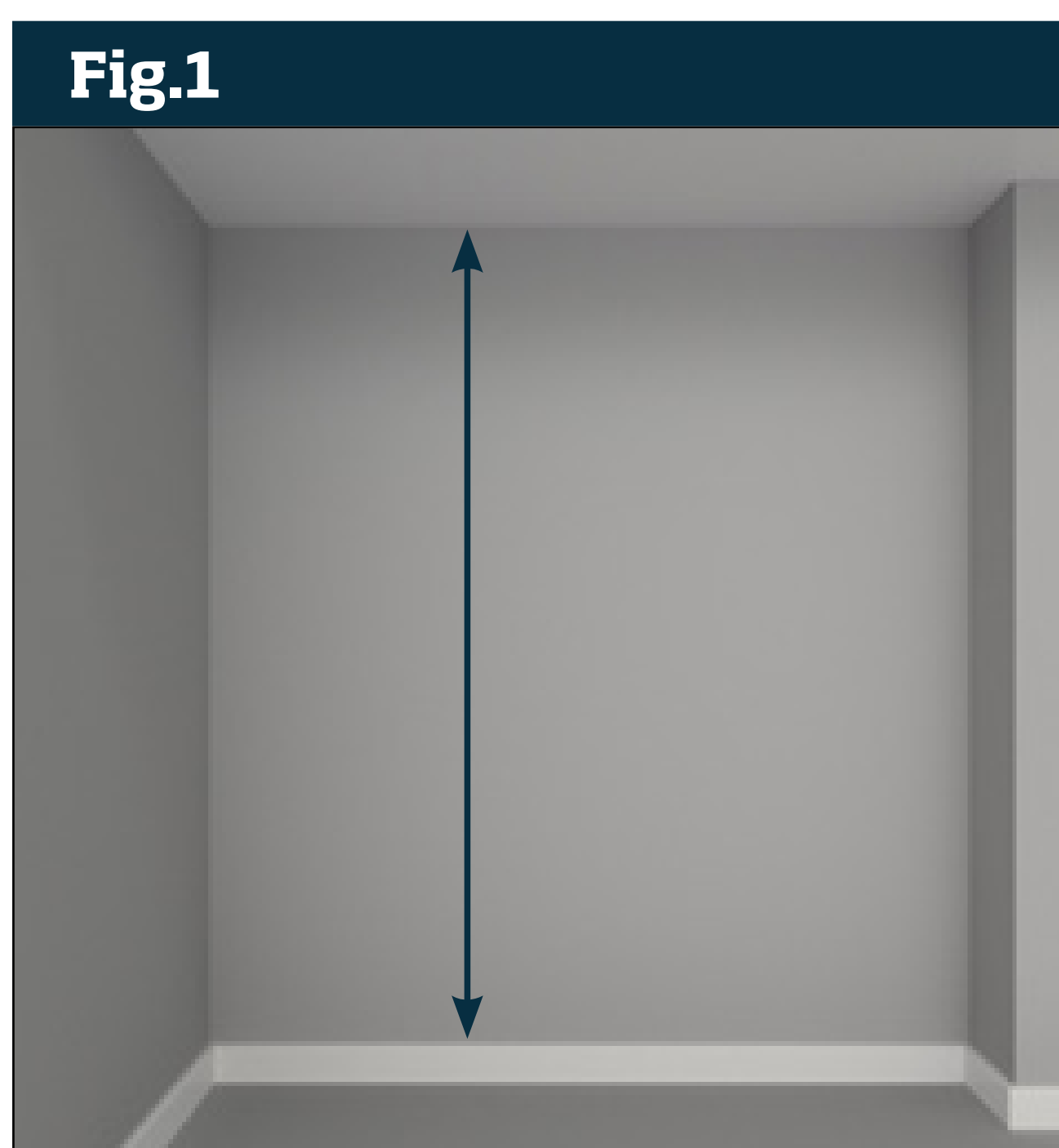
If slats on panel are loose after cutting, secure slats by inserting 15mm long screws through back of panel, through the felt and into the slats ensuring that screw heads are flush with back face of felt backing (**Fig 4**). Check panel fit on wall.

Next, apply a proprietary fast grab adhesive to the back of the panel (**Fig 5**). One standard cartridge should be enough to install 3 panels.

Working from left to right, carefully offer panel up to wall, ensuring that the panel side where the slat projects past the backing is to left hand side and the open side where the slat is set back is to right hand side, ready to accept next panel (**Fig 6**). Lead with bottom edge, then locate fully up into position. Press panel at top, middle and bottom locations to ensure adhesive makes full contact with wall. Check vertical using spirit level.

Repeat above procedure for all remaining full width panels. When you come to the end of the run, it may be necessary to cut the last panel to correct width. Measure distance from edge of panel to wall, at top and bottom, to check parallel (**Fig 7**).

Transfer the measurements to the panel and mark. If mark falls on a slat, please apply masking tape. Cut panel to width (**Fig 8**). Offer onto wall to check fit. Remove panel and apply adhesive to back of panel and install as previous.



Sockets and Switches

To cut your panel to accommodate light switches and sockets, measure the size and location of the socket/switch (**Fig 9**). Transfer these measurements to the panel and mark location of socket/switch (**Fig 10**). Apply masking tape to cut area. Cut the marked area using a jigsaw with good quality blades (**Fig 11**).

Secure any loose slats following same procedure used in Fig 4.

Screw to Wall

To secure panel to wall using screws, you will require 15 off, 3.5mm x 35mm black drywall screws set in 5 rows of 3. Top and bottom screws should be placed no closer than 50mm from the ends. On a 2.4m panel, rows should be spaced approx. 575mm apart (**Fig 12**). Using black coloured screws will help the screw heads blend in with the black backing felt.

Cut panel to correct height and insert 15 off screws through front of panel into felt backing so they project slightly through the back. Offer panel up to correct position on wall, check vertical using spirit level. Tap or rotate each screw with a screwdriver so they leave a location mark on the wall (**Fig 13**). Remove panel.

Drill and plug all location marks on wall using appropriate plugs suitable for the wall construction.

Offer panel back to wall and secure panel using screws. Repeat process for remaining panels.

Screw to Battens

Drill, plug and secure 5 off, battens (45mm x 45mm) up the wall, spaced evenly (**Fig 14**). You have the option of installing mineral wool between the battens to improve insulation and increase sound absorption. Measure and cut panels as shown on first page of installation method.

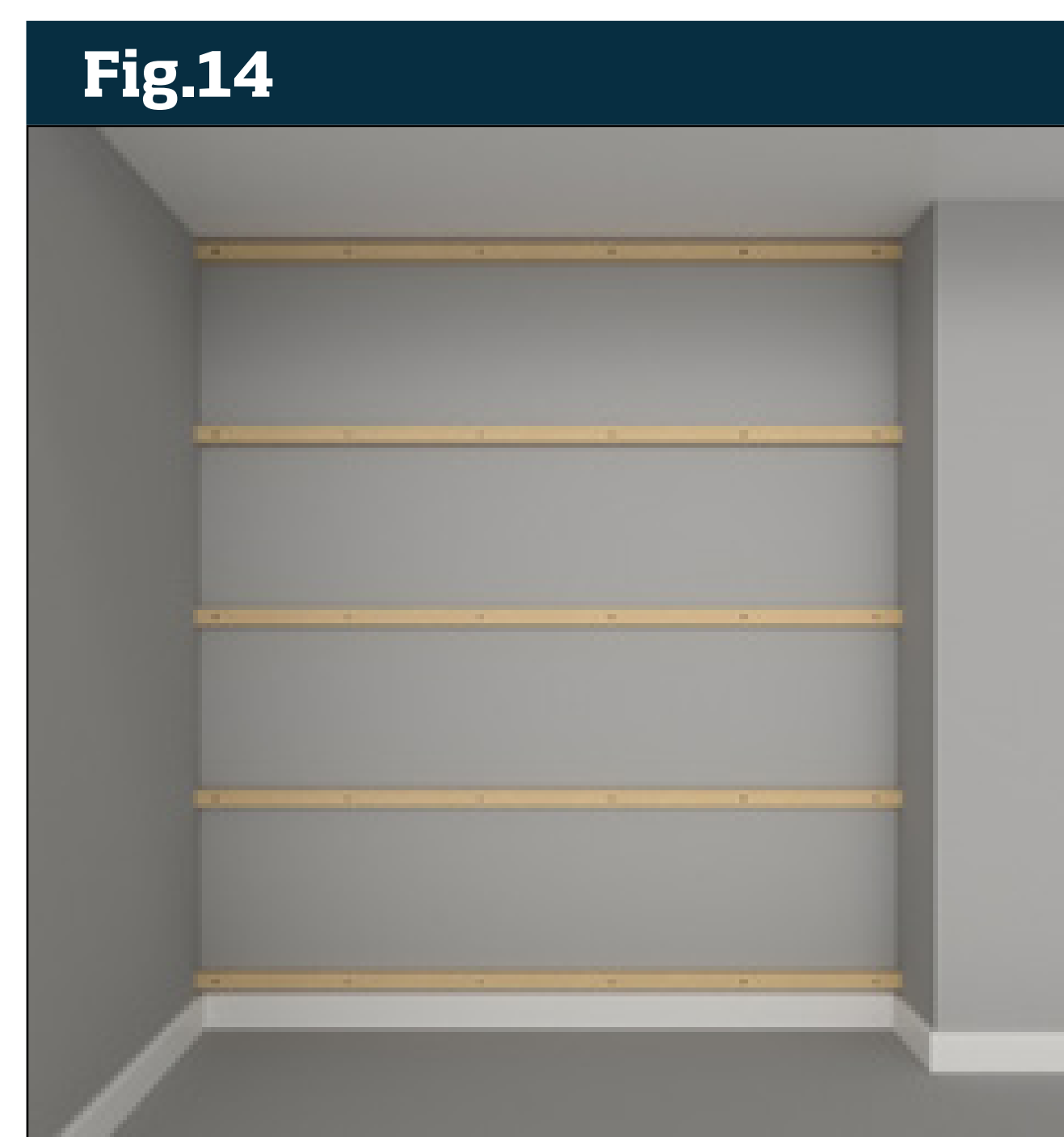
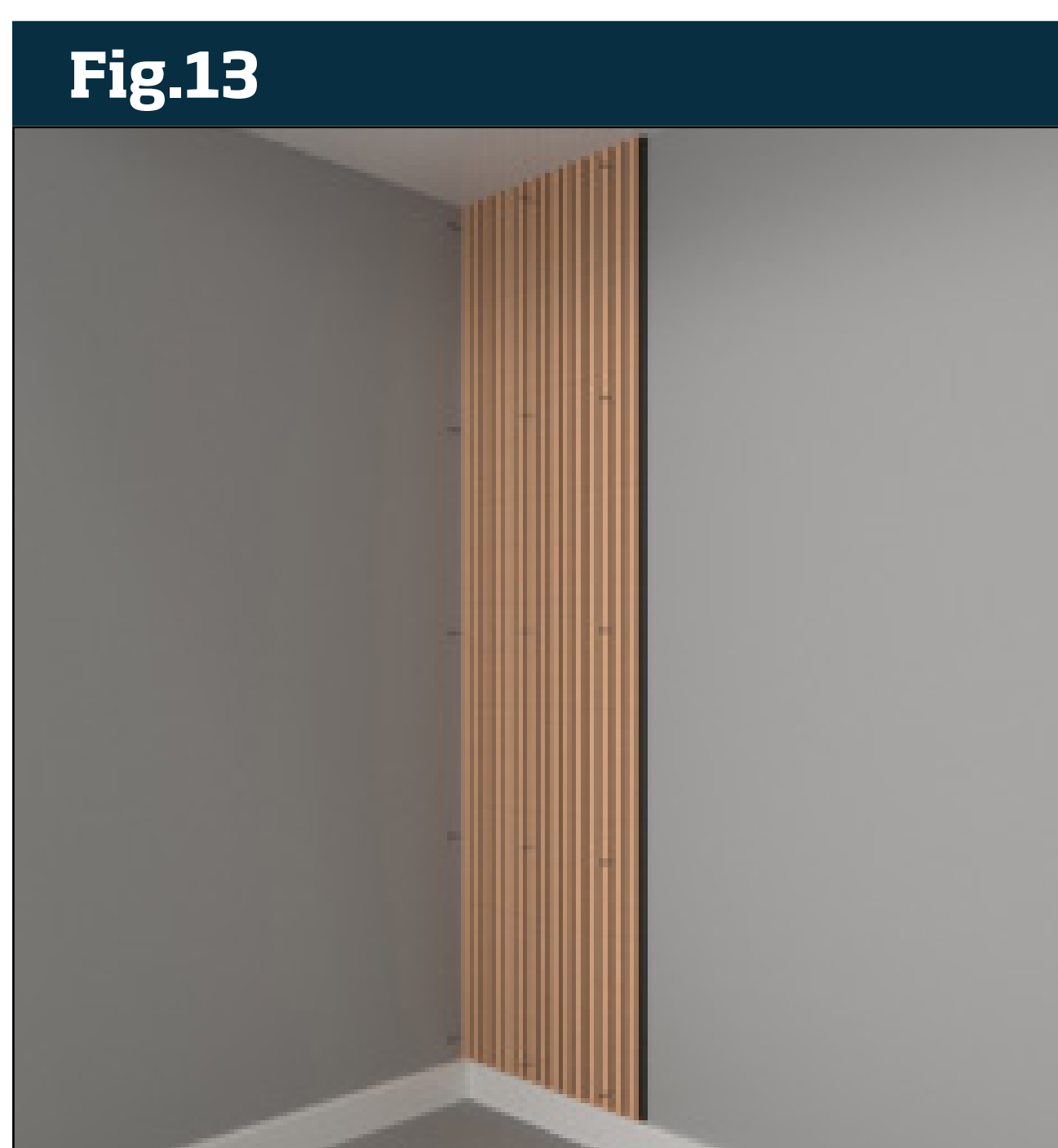
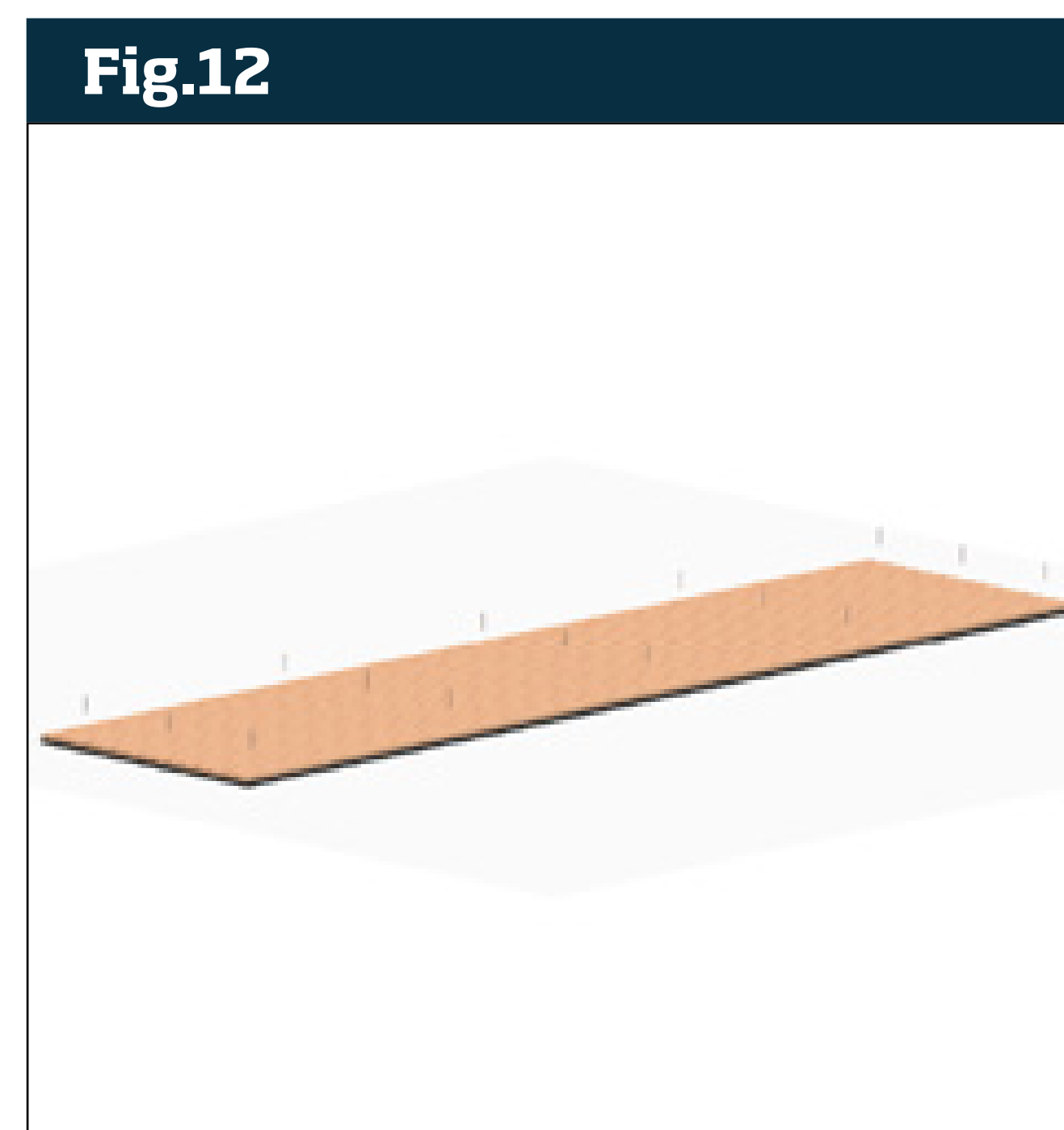
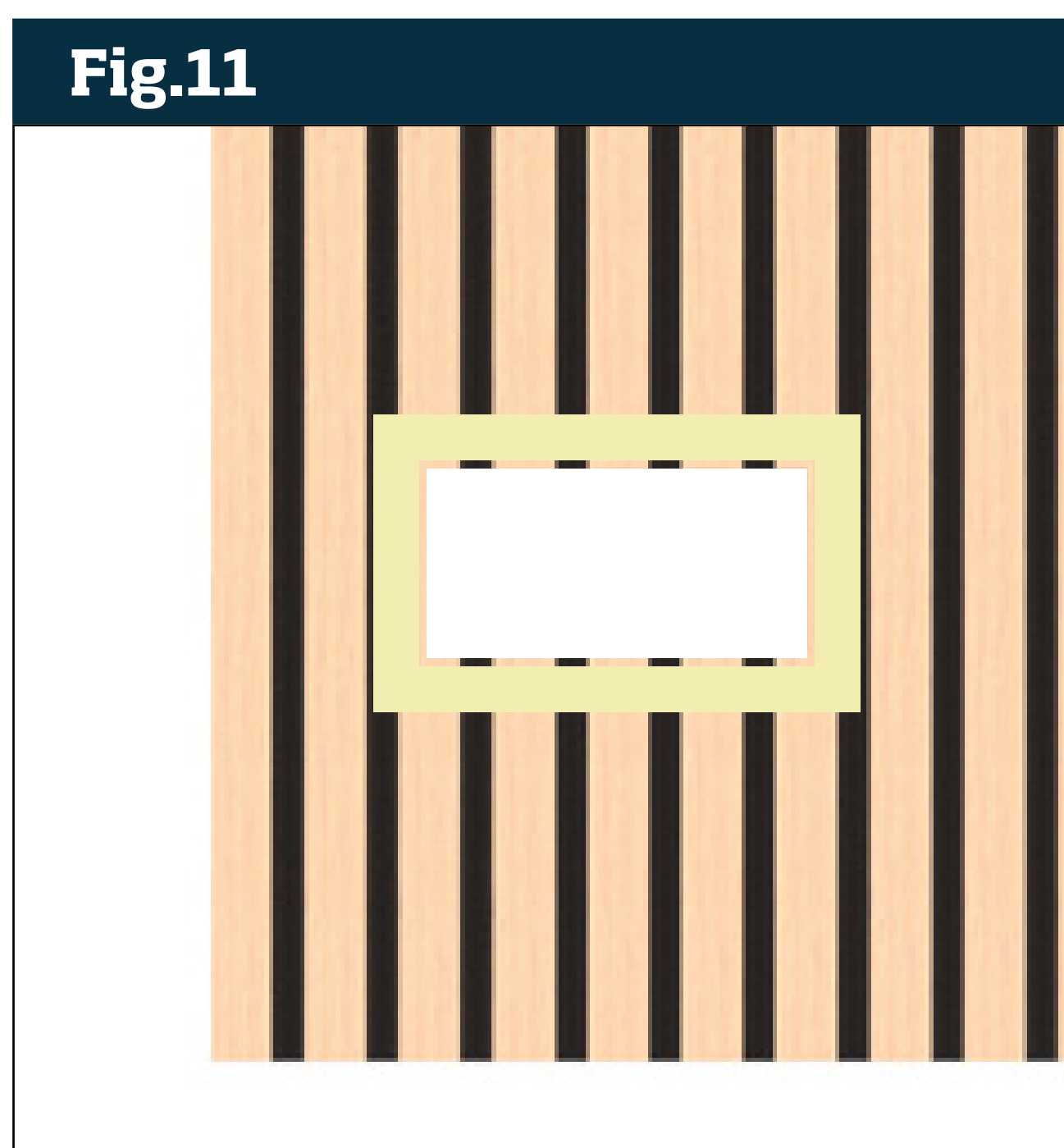
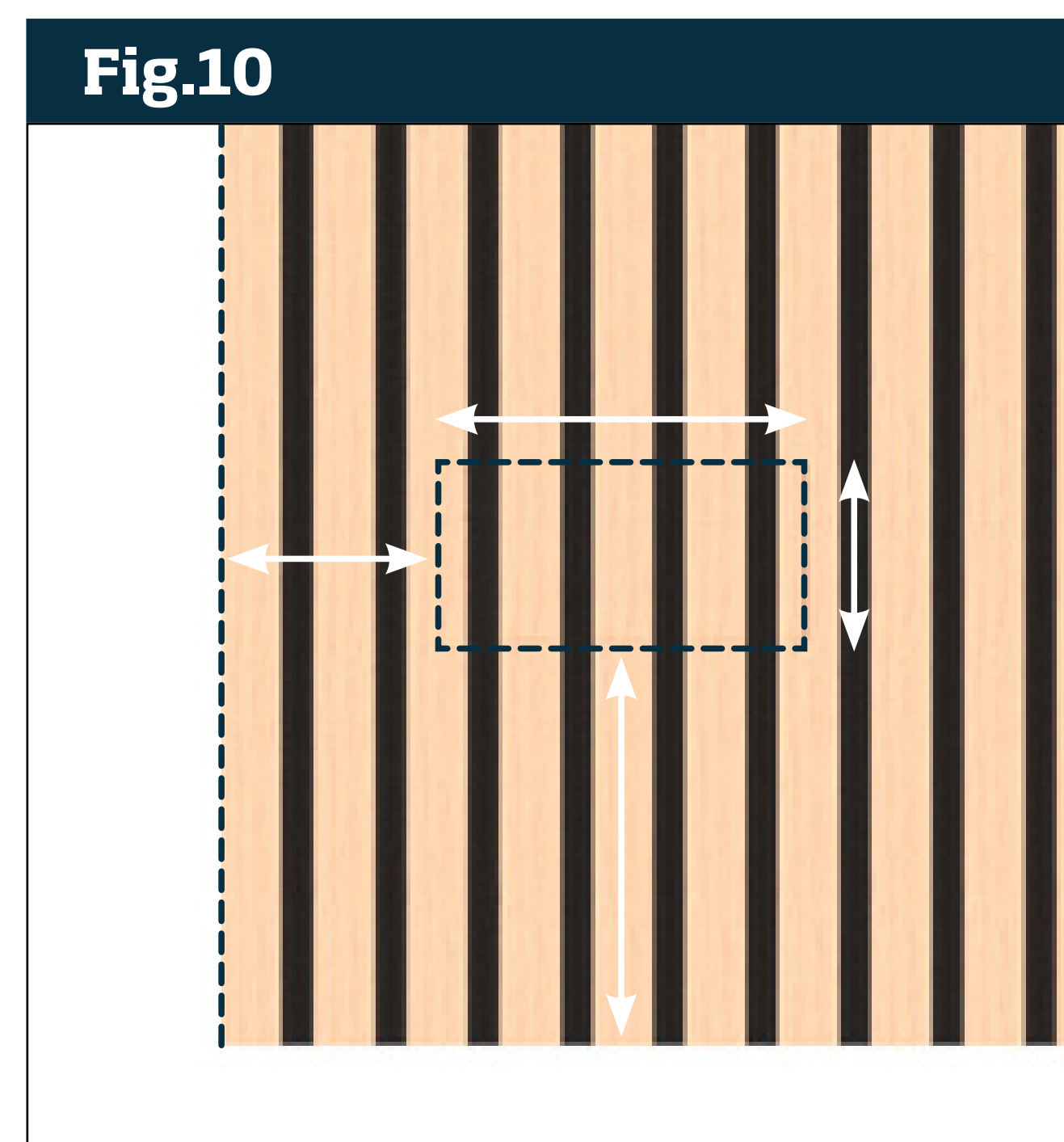
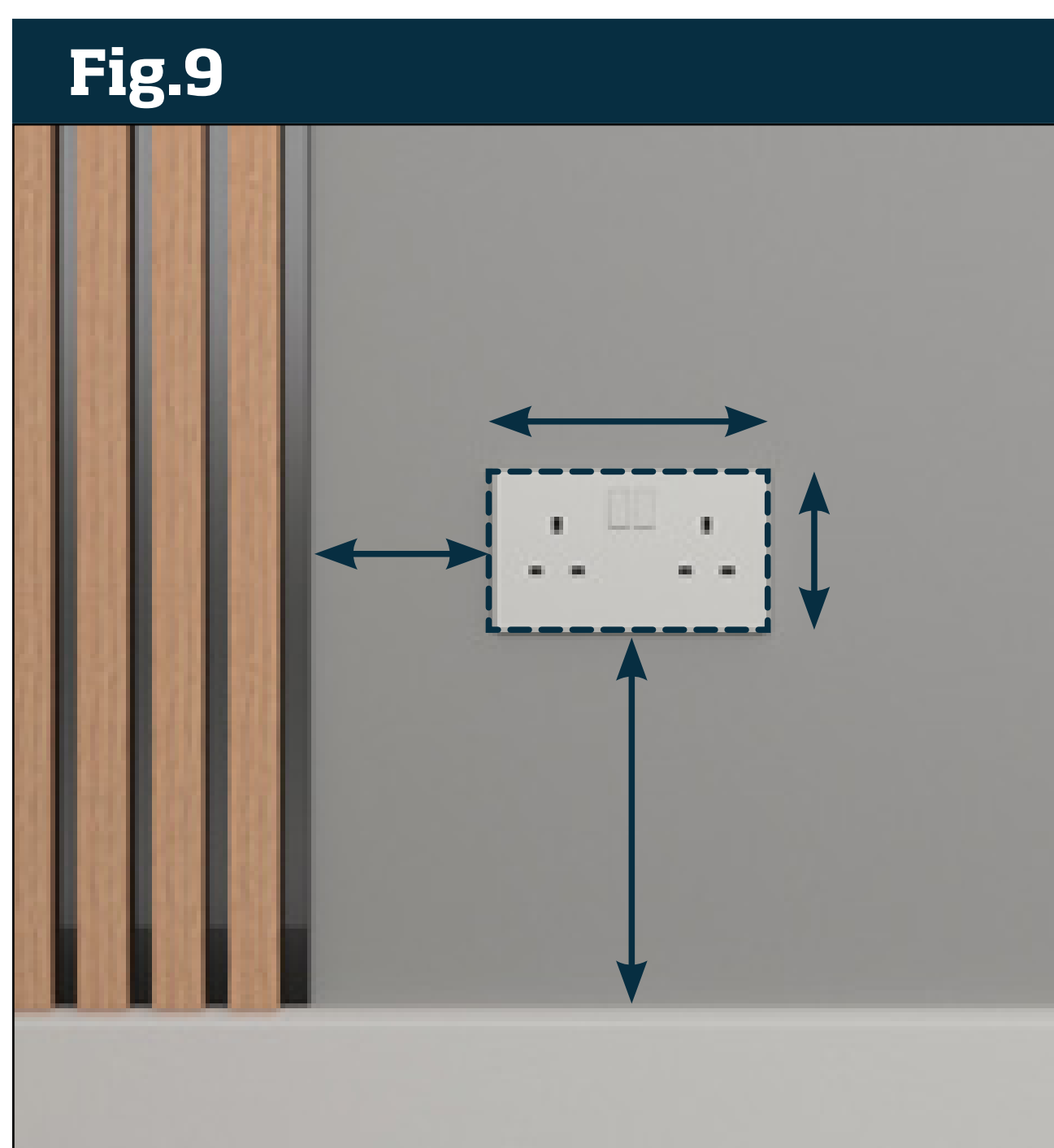
Offer panel up to battens at start of run. Secure using 5 off, rows of 3, black drywall screws 3.5mm x 35mm. Repeat process for remaining panels.

Fixing to Ceilings

If you are installing panels to the ceiling, please ensure all fixings are located at structural points i.e into the joists.

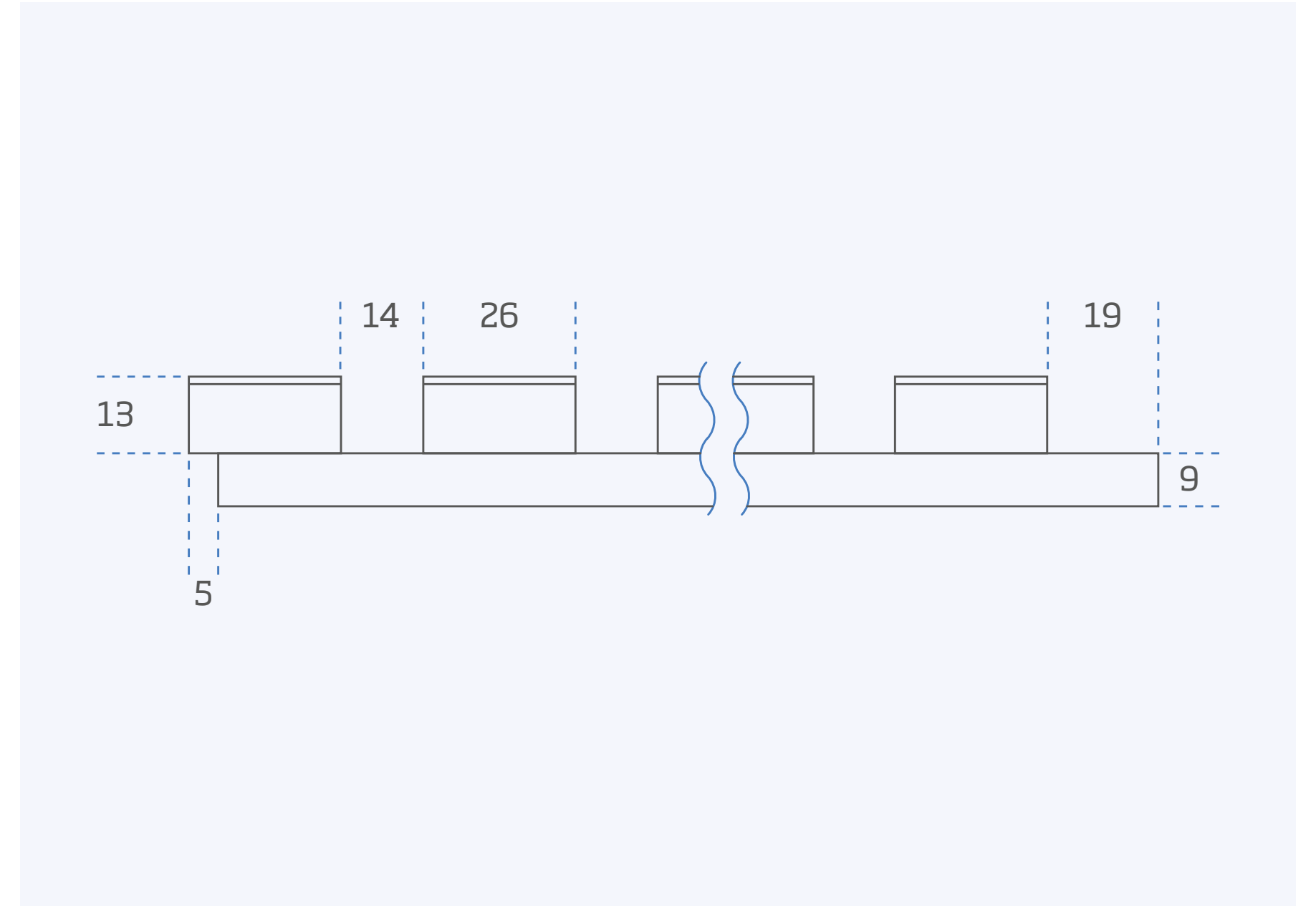
This installation will require 2 people. Care should be taken if using step ladders.

Alternatively, the use of a Panel Lifter Hoist Jack would be ideal for the job, depending on how many panels are being installed.



Acoustic Panels

Technical Information



Features

Design	Modern design feature for home & office
Noise reduction	Fibre backing absorbs sound, reducing noise
Colour options	Smoked Oak, Washed Oak & Walnut
Suitability	Domestic & Commercial settings

Specification

Material	MDF board & Recycled polyester fibre
Finish	Wood veneer
Length	2400mm
Width	605mm
Thickness	22mm (MDF & Veneer Slat 13mm, fibre backing 9mm)
Number of slats per panel	15
Coverage	1.44m ²
Noise reduction coefficient*	NRC=0.80, Class B. EN ISO 11654:1997
Cleaning	Vacuum cleaner or dry cloth. Do not use water
Installation	Screws or adhesive
Usage	For internal use only

*Certification available upon request

M.H. Southern & Co. Ltd.

MHS

**Technical
Helpline:
0191 489 8231**

